

Contents

MPO/MTP®

© MPO/MTP® Patch Cabling	04
MPO/MTP® Trunk Cables.....	05
MPO/MTP® Harness Cables.....	06
MPO/MTP® 16F 32F Cables.....	07
MPO/MTP® Loopbacks.....	08
MPO/MTP® Cassettes.....	09
MPO/MTP® Modular Enclosures.....	10
Adapter Plates.....	11



OPTKO provides a full line of high performance MTP /MPO fiber cable assembly, they are designed for high-density backplane and Printed Circuit Board (PCB) applications in data and telecommunication systems. With the based on single ferrule MT technology, our MTP /MPO fiber cable assembly can be up to single ferrule with 24 fiber cores connections.

OPTKO MT Series Solution includes MTP /MPO Patch Cords, MTP /MPO Harness Cables, and MTP /MPO Trunk Cables. With the sourcing MPO connectors from Japan and MTP connectors from US Conec, production with our advanced equipments under our experienced and skilled technique, all our MTP /MPO fiber cable assembly products are designed to meet or exceed EIA/TIA, IEC and Telcordia standards for performance and reliability. The MTP /MPO cassettes and patch panels are available as well.

Technical Specifications

Optical Performance

Performance Level			Standard		High		Ultra	
Connector Type	Mode	Endface	IL(max) (dB)	RL(min) (dB)	IL(max) (dB)	RL(min) (dB)	IL(max)(dB)	RL(min)(dB)
MPO/MTP	SM	12F/APC	<=0.50	>60	<=0.35	>60	<=0.15	>60
		24F/APC	<=0.75	>60	<=0.5	>60	N/A	N/A
	MM	12F/PC	<=0.50	>20	<=0.35	>20	<=0.15	>20
		24F/PC	<=0.50	>20	<=0.35	>20	N/A	N/A
LC/SC/FC/ST	SM	APC	<=0.30	>60	<=0.20	>65	<=0.10	>65
		UPC	<=0.20	>50	<=0.15	>55	<=0.10	>55
	MM	PC	<=0.20	>30	<=0.15	>40	<=0.10	>40

Note:

- 1.Test wavelength:SM@1310/1550nm,MM@850/1300nm;
- 2.Standard conformance: GR-326,GR-1435.

Mechanical Properties

Item		Criteria	Conformance
ΔIL after 50 matings	MPO/MTP	<=0.3dB	GR-1435
ΔIL after 500 matings	LC/SC/FC/ST	<=0.2dB	IEC 61300-2-2
Min Bend Radius (Dynamic)		20*OD (Cable Diameter)	
Min Bend Radius (Static)		10*OD (Cable Diameter)	

Environment Conditions

Item	Criteria	Conformance
Controlled Environment	-10~60°C	IEC 61753-1
Uncontrolled Environment	-40~85°C	

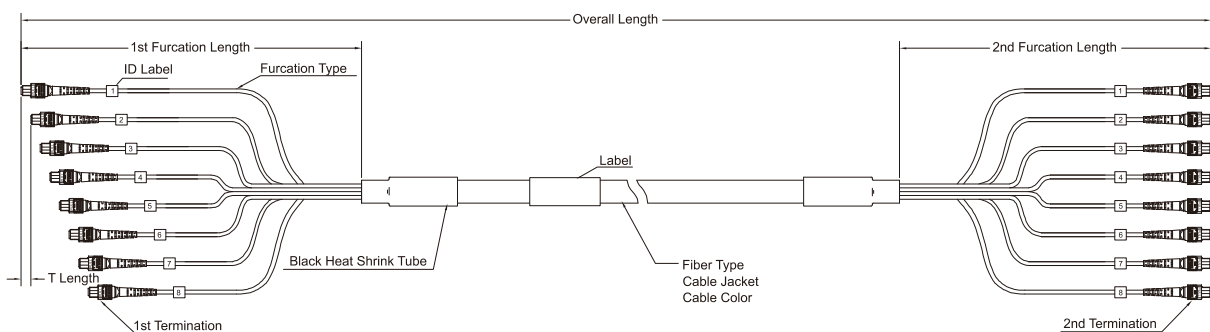
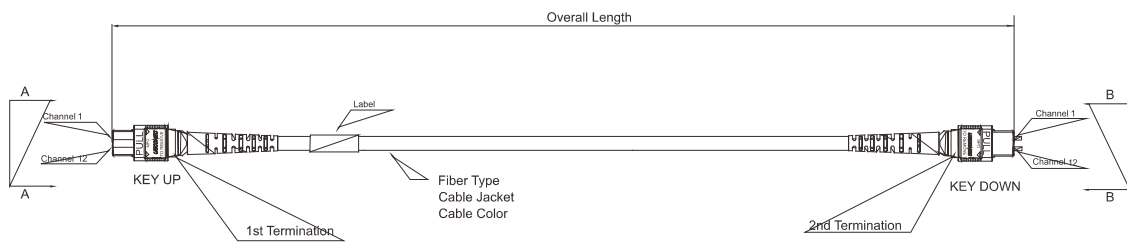
MPO/MTP[®] Trunk Cables

OPTKO provides a full line of high performance MTP[®] /MPO fiber cable assembly, they are designed for high-density backplane and Printed Circuit Board (PCB) applications in data and telecommunication systems. With the based on single ferrule MT technology, our MTP[®] /MPO fiber cable assembly can be up to single ferrule with 24 fiber cores connections.

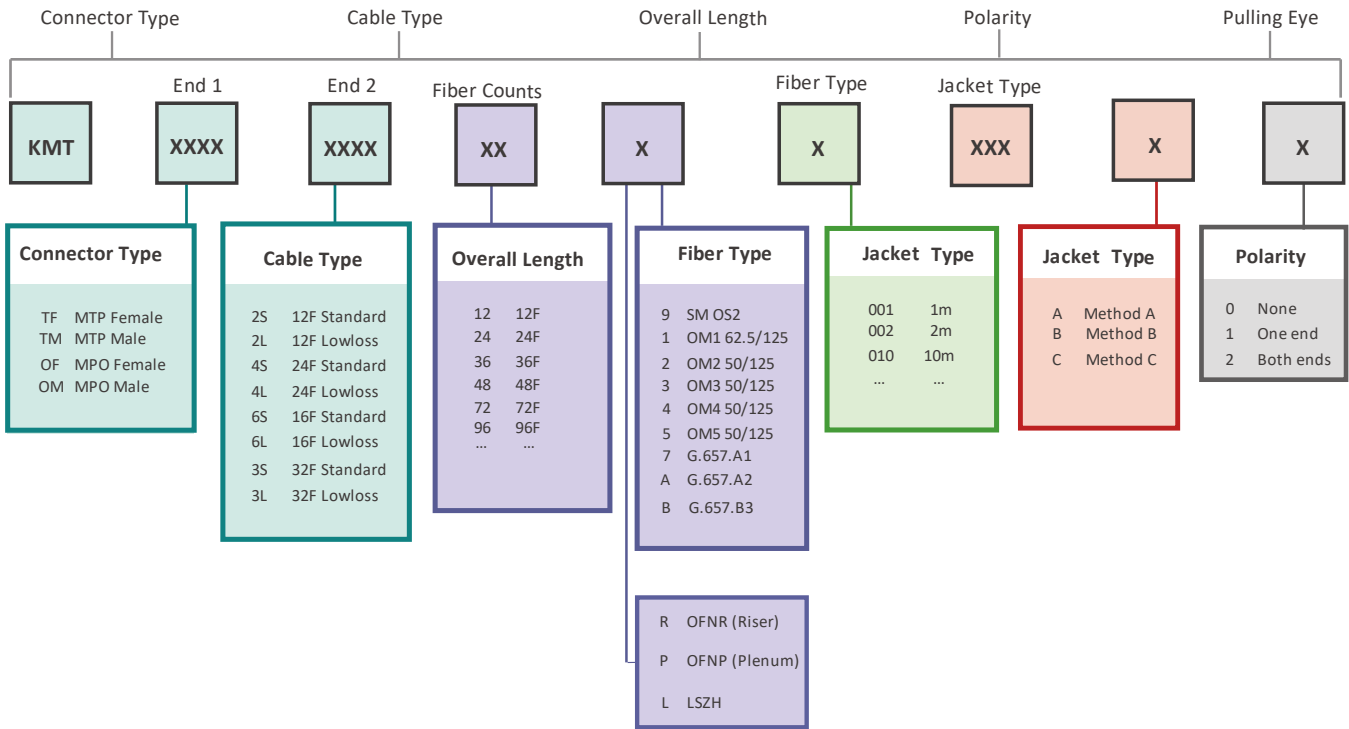
OPTKO MT Series Solution includes MTP[®] /MPO Patch Cords, MTP[®] /MPO Harness Cables, and MTP[®] /MPO Trunk Cables. With the sourcing MPO connectors from Japan and MTP connectors from US Conec, production with our advanced equipments under our experienced and skilled technique, all our MTP[®] /MPO fiber cable assembly products are designed to meet or exceed EIA/TIA, IEC and Telcordia standards for performance and reliability. The MTP[®] /MPO cassettes and patch panels are available as well.

© Features

- Data center systems cabling
- Available in 12, 24, 36, 48, 72, 96, 144, or custom fiber counts
- Available in OM1, OM2, OM3, OM4 and OS2 fiber types
- RoHS compliant – Riser, Plenum, and LSZH rated cables available
- 100% factory tested
- Custom configurations available upon request



Order Information



MPO/MTP[®] Harness Cables

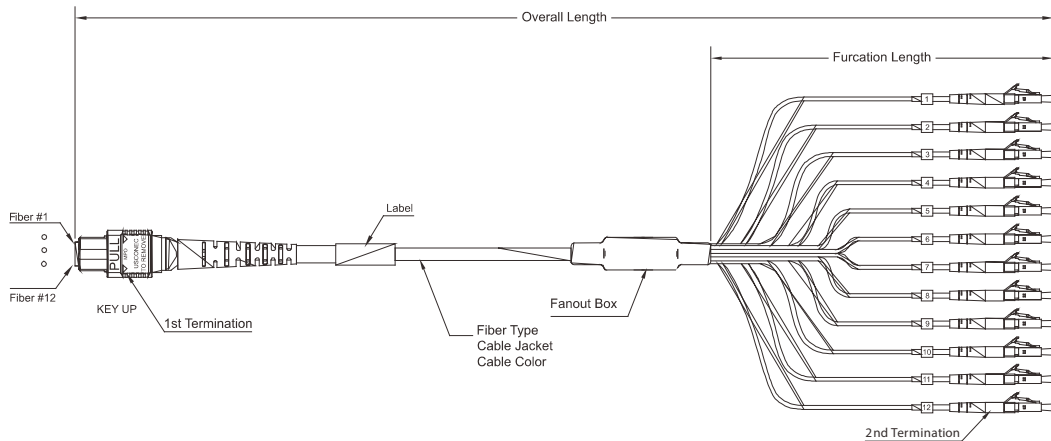
OPTKO provides the MTP[®]/MPO fiber cable assembly, with the based on single ferrule MT technology, can provides up to single ferrule with 24 fiber cores connections. For reducing the physical space requirement. MTP /MPO solution can be various connector kits, with metal guide pins and precise housing dimensions to ensure fiber alignment when mating.

OPTKO patchcords are assembled with high-grade connectors, the ferrules are made of excellent quality zirconia. Apart from simplex patchcords, duplex patchcords are also available. All patchcords provided by OPTKO are guaranteed to meet our specifications. For special requests on test reports or other specification, please contact us.

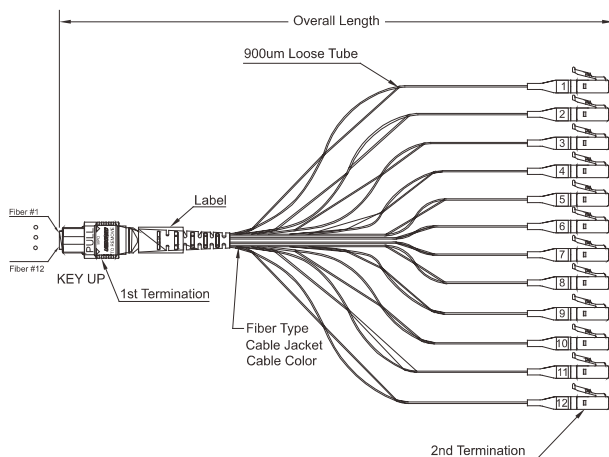
Ⓞ Features

- Data center systems cabling
- Pre-terminated MTP[®]/MPO to SC, LC, MU, ST, MT-RJ connectors
- Custom "T" and "Even" alignment type available
- Suitable for MTP[®]/MPO cassettes and patch panels
- Available in OM1, OM2, OM3, OM4 and OS2 fiber types
- Ro HScompliant – Riser, Plenum, and LSZHrated cables available
- 100% factory tested
- Custom configurations available upon request

Series: MFH=MTP[®] /MPO Fanout Harness Cables

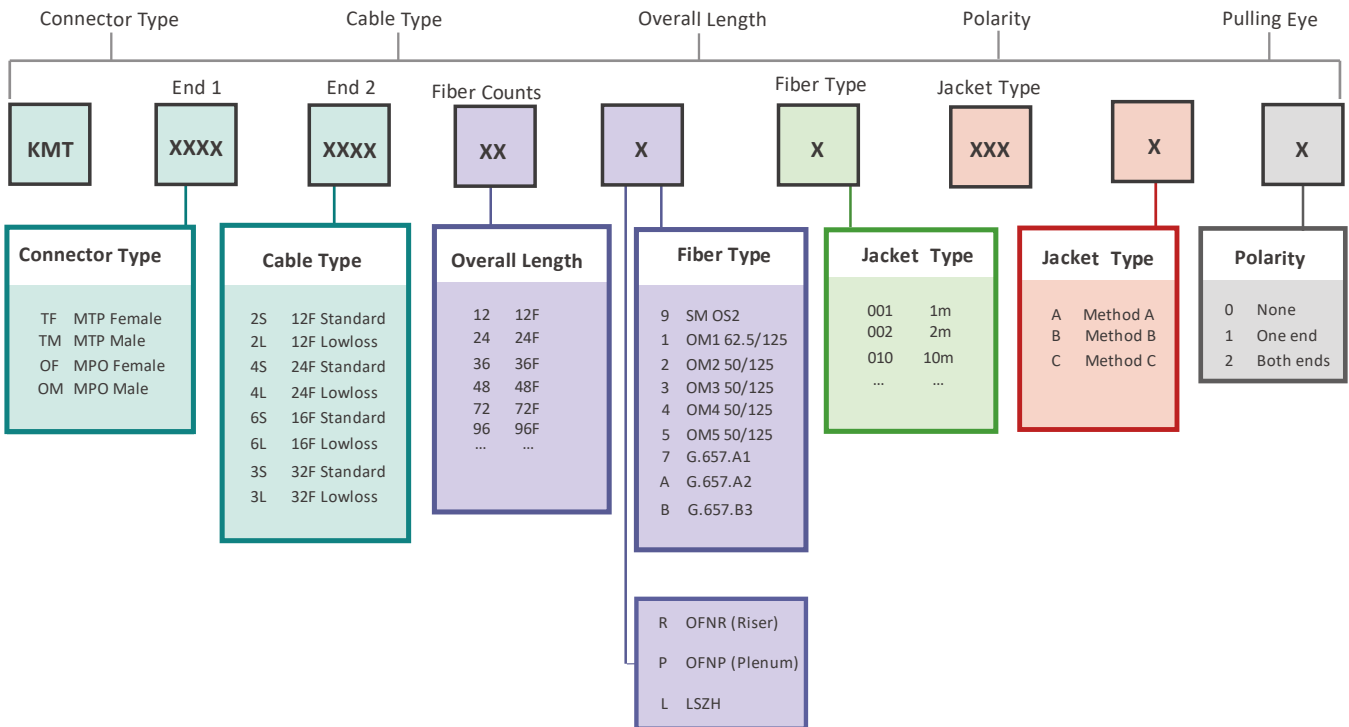


Series: MDH=MTP[®] /MPO Direct Harness Cables





Order Information



MPO/MTP[®] Loopbacks

OPTKO provides the MTP /MPO fiber cable assembly, with the based on single ferrule MT technology, can provides up to single ferrule with 24 fiber cores connections. For reducing the physical space requirement. MTP /MPO solution can be various connector kits, with metal guide pins and precise housing dimensions to ensure fiber alignment when mating.

OPTKO patchcords are assembled with high-grade connectors, the ferrules are made of excellent quality zirconia. Apart from simplex patchcords, duplex patchcords are also available. All patchcords provided by OPTKO are guaranteed to meet our specifications. For special requests on test reports or other specification, please contact us.

Features

- Bend Insensitive fiber with Low loss connector
- Options for 12-or 24-Fibers MPO/MTP[®] interface
- Applicable in any MPO/MTP[®] adaptor and other device ports
- Custom configurations available
- Easy Insertion and Extraction
- An additional protection shell available

Ⓞ Specification

Item (The other side)	Singlemode		Multimode	
Connector Type	MPO/MTP [®]			
	Standard	Elite/Low loss	Standard	Elite/Low loss
Insertion Loss	≤ 1.5dB	≤ 0.7dB	≤ 1.0dB	≤ 0.7dB
Return Loss	≥ 50dB	≥ 50dB	≥ 20dB	≥ 20dB
Durability	≤ 0.1dB typical change, 500 matings			
Operating Temperature	-40°C to +75°C			
Fiber Type	OS2/G657A1		OM3/OM4 Bend Insensitive fiber	

MPO/MTP® Cassettes

OPTKO provides the MTP /MPO fiber cable assembly, with the based on single ferrule MT technology, can provides up to single ferrule with 24 fiber cores connections. For reducing the physical space requirement. MTP /MPO solution can be various connector kits, with metal guide pins and precise housing dimensions to ensure fiber alignment when mating.

OPTKO patchcords are assembled with high-grade connectors, the ferrules are made of excellent quality zirconia. Apart from simplex patchcords, duplex patchcords are also available. All patchcords provided by OPTKO are guaranteed to meet our specifications. For special requests on test reports or other specification, please contact us.

Features

- Bend Insensitive fiber with Low loss connector
- Options for 12-or 24-Fibers MPO/MTP® interface
- Applicable in any MPO/MTP® adaptor and other device ports
- Custom configurations available
- Easy Insertion and Extraction
- An additional protection shell available



Ordering Examples



Order Information	CTA3F3FCSA1A
Dimension (H*W*D)	35 x 136 x 101.5 (mm)
Mounting Hole Distance	126 mm
Capacity	1 x 12F MTP - 12F LC
Material	Cold-rolled steel
Surface treatment	Black Powder Coated



Order Information	CTA3F3HCSA1A
Dimension (H*W*D)	35 x 136 x 101.5 (mm)
Mounting Hole Distance	126 mm
Capacity	2 x 12F MTP - 24F LC
Material	Cold-rolled steel
Surface treatment	Black Powder Coated



Order Information	CTA3F3HCSA1B
Dimension (H*W*D)	35 x 109.5 x 101.5 (mm)
Mounting Hole Distance	101.5 mm
Capacity	2 x 12F MTP - 24F LC
Material	Cold-rolled steel



Order Information	CTA3A3KCHO1A
Dimension (H*W*D)	35 x 136 x 101.5 (mm)
Mounting Hole Distance	126 mm
Capacity	4 x 12F MTP - 6 x 8F MTP
Material	Cold-rolled steel
Surface treatment	Black Powder Coated



Order Information	CTD3A3KCHO1A
Dimension (H*W*D)	35 x 136 x 101.5 (mm)
Mounting Hole Distance	126 mm
Capacity	2x 24F MTP - 6 x 8F MTP
Material	Cold-rolled steel
Surface treatment	Black Powder Coated



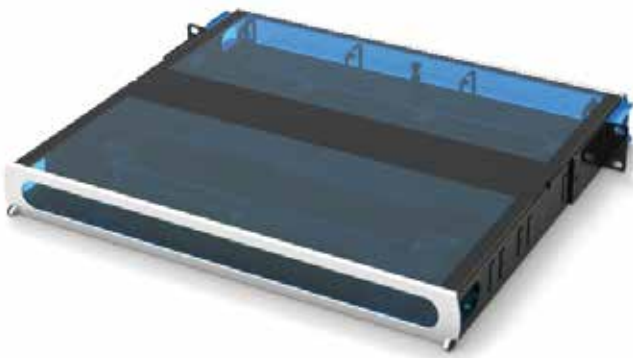
Order Information	CTA1F2HGSA1A
Dimension (H*W*D)	35 x 136 x 101.5 (mm)
Mounting Hole Distance	126 mm
Capacity	2x 12F MTP - 24F LC
Material	Cold-rolled steel
Surface treatment	Black Powder Coated

MPO/MTP[®] Modular Enclosures

With the sourcing MPO connectors from Japan and MTP connectors from US Conec, production with our advanced equipments under our experienced and skilled technique, all our MTP /MPO fiber cable assembly products are designed to meet or exceed EIA/TIA, IEC and Telcordia standards for performance and reliability.

Ⓞ Features

- Bend Insensitive fiber with Low loss connector
- Options for 12-or 24-Fibers MPO/MTP[®] interface
- Applicable in any MPO/MTP[®] adaptor and other device ports
- Custom configurations available
- Easy Insertion and Extraction
- An additional protection shell available



Ordering Examples



Order Information	ME01U072A1P
Dimension (H*W*D)	1U*482*400 (mm)
Capacity	3*24F Cassette or Panel
Material	Cold-rolled steel
Surface treatment	Black Powder Coated
Weight	3kg



Order Information	ME01U072A1D
Dimension (H*W*D)	1U*482*400 (mm)
Capacity	3*24F Cassette or Panel
Material	Cold-rolled steel
Surface treatment	Black Powder Coated
Weight	4.5kg



Order Information	ME02U144A1D
Dimension (H*W*D)	2U*482*400 (mm)
Capacity	6*24F Cassette or Panel
Material	Cold-rolled steel
Surface treatment	Black Powder Coated
Weight	6kg



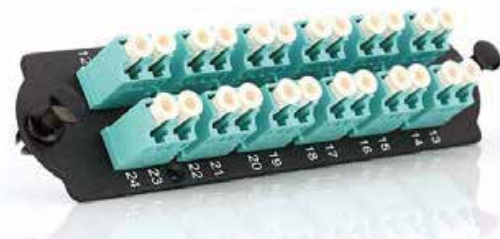
Order Information	ME04U288A1F
Dimension (H*W*D)	4U*482*400 (mm)
Capacity	12*24F Cassette or Panel
Material	Cold-rolled steel
Surface treatment	Black Powder Coated
Weight	5kg

Adapter Plates

OPTKO offers a full range of high-performing and high-density fiber optic adapter plates, its come in several different sizes (Model A and Model B) and used in conjunction with Fibero patch panels or enclosures, the fiber adapter plates provide plug-and-play fiber connectivity, faster deployment, and easier moves, adds and changes; OPTKO adapter plates are offered in MPO/MTP[®], LC, SC, and ST versions.

Features

- Simple to use, convenient installation
- Compatible with panels and enclosures
- Standard MPO/MTP[®], LC, SC, ST connector options to suit specific applications.
- Easy to install with Push/Pull fastener
- Customized products available
- Connects fiber jumpers between equipment areas and fiber distribution areas



Ordering Examples



Order Information	FPADD24F1A
Dimension (H*W*D)	136*35(mm)
Mounting Hole Distance	126(mm)
Capacity	12/24F LC Duplex
Material	Cold-rolled steel
Surface treatment	Black Powder Coated



Order Information	FPBDD12F1A
Dimension (H*W*D)	136*35(mm)
Mounting Hole Distance	126(mm)
Capacity	12F/ SC Duplex
Material	Cold-rolled steel
Surface treatment	Black Powder Coated



Order Information	FPGSE06P1A
Dimension (H*W*D)	136*35(mm)
Mounting Hole Distance	126(mm)
Capacity	6 ports MTP
Material	Cold-rolled steel
Surface treatment	Black Powder Coated



Order Information	FPOONA1A
Dimension (H*W*D)	136*35(mm)
Mounting Hole Distance	126(mm)
Capacity	
Material	Cold-rolled steel
Surface treatment	Black Powder Coated

MPO Connectors

OPTKO MPO Connector is a multi-fiber connector with its MT ferrule, designed for high-density backplane and Printed Circuit Board (PCB) applications in Datacom and Telecom systems. MPO connector offers up to 12 times the density of standard connectors, providing significant space and cost savings, it has a pair of grooves running parallel to the fibers for metal guide pins that align the ferrules when mated.

OPTKO MPO Connectors are available for terminated jumpers with standard singlemode and multimode, as well as Super Low Loss (MPO) versions with 8-fiber, 12-fiber and 24-fiber.

Features

- Precision molded multi-fiber MT ferrule
- Push-pull latching
- Compact design
- Both of Female and Male type are available
- JIS C5982, IEC 61754-7 standard compliant
- Telcordia GR-1435-CORE standard compliant



OM3 Aqua
With mini ribbon boot



SM Green
With flat ribbon boot



SM Yellow
With 3.0mm round boot



OM3 Aqua
With mini ribbon boot



SM Green
With flat ribbon boot



SM Yellow
With 3.0mm round boot

Series: MPO MAX Connector	Pin Type		Fiber Counts		Performance Level	
	606	F	Female	4	12F	1
	M	Male	8	24F	2	MM Low Loss
			12	12F	3	SM Standard
			24	24F	4	SM Low Loss
				

Ordering Example: 606-F121-A3

MPO Adapters

OPTKO MPO Connector is a multi-fiber connector with its MT ferrule, designed for high-density backplane and Printed Circuit Board (PCB) applications in Datacom and Telecom systems. MPO connector offers up to 12 times the density of standard connectors, providing significant space and cost savings, it has a pair of grooves running parallel to the fibers for metal guide pins that align the ferrules when mated.

OPTKO MPO Connectors are available for terminated jumpers with standard singlemode and multimode, as well as Super Low Loss (MPO) versions with 8-fiber, 12-fiber and 24-fiber.

⊗ Features

- Precision molded multi-fiber MT ferrule
- Push-pull latching
- Compact design
- Both of Female and Male type are available
- JIS C5982, IEC 61754-7 standard compliant
- Telcordia GR-1435-CORE standard compliant

⊗ Specification

MPO Series	MM Standard		MM Super Low Loss		SM Standard		SM Super Low Loss	
Insertion Loss	Typical (all fibers)	0.20dB	Typical (all fibers)	0.08dB	Typical (all fibers)	0.25dB	Typical (all fibers)	0.10dB
	Maximum (single fiber)	0.40dB	Maximum (single fiber)	0.25dB	Maximum (single fiber)	0.75dB	Maximum (single fiber)	0.35dB
Return Loss	≥25dB (Flat Polish)		≥25dB (Flat Polish)		≥60dB (8° Angle Polish)		≥60dB (8° Angle Polish)	
Durability Temperature	≤0.2dB change, 1000 matings		≤0.2dB change, 1000 matings		≤0.3dB change, 500 matings		≤0.3dB change, 500 matings	
Operating	-40°C to +75°C							
Available Ferrules	4, 8, 12, 24		8, 12		4, 8, 12, 24		8, 12	

*SM Standard 24-Fiber(single fiber)=Typical 0.5dB and Maximum 1.0dB;

*MM Standard 24-Fiber=Typical 0.2dB and Maximum 0.6dB; MM Super Low Loss ferrule will use SM Pin to guarantee IL.



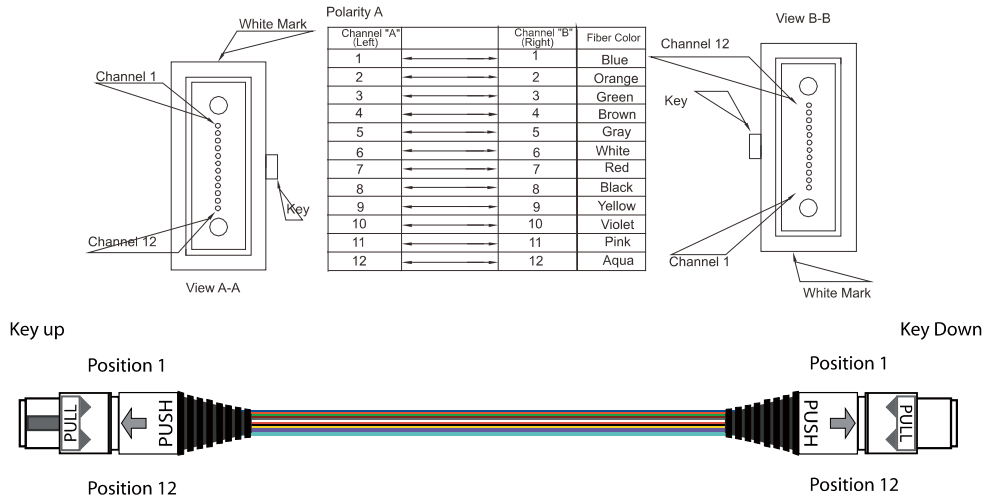
MPO Adapter, No Flange

Series: MPO MAX Adapter	Adapter Flange		Key Type		Adapter Color	
666	1	With Flange	UD	Key up-key down	A	Aqua
	2	No Flange	UU	Key up-key up	V	Heather Violet
					H	Gray
					K	Black
				

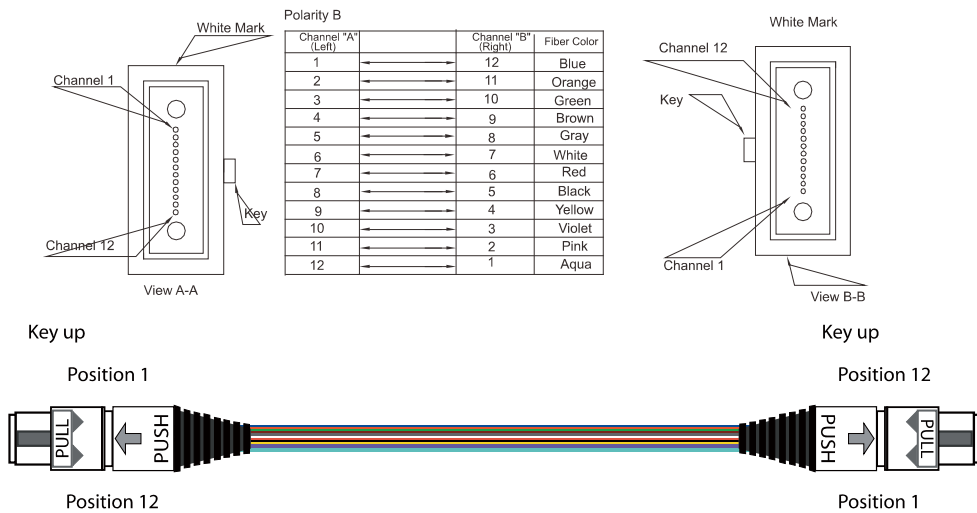
Ordering Example: 666-1UD-K

Polarity for 12F MPO/MTP[®] Jumpers

© Polarity A



© Polarity B



© Polarity C

